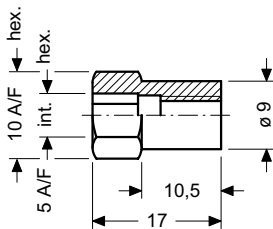
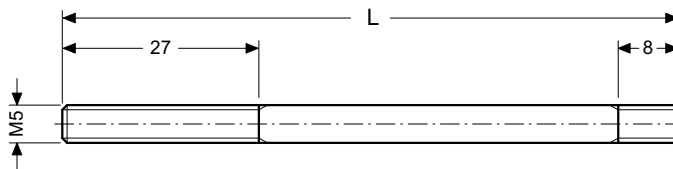


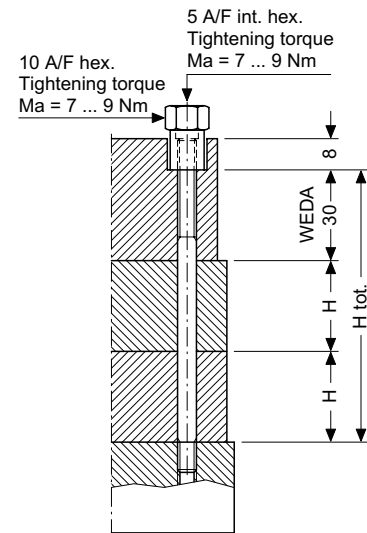
G - 30 A Fixing Kits for size 2 Modular Stacks with directional valves

- Steel stud, δb min. 1000 N/mm², phosphated
- Recessed nut, steel, phosphated

DIMENSIONS



Recessed nut
type B



L	105	147	168	189	210	231
H tot.	71 .. 91	113 .. 133	134 .. 154	155 .. 175	176 .. 196	197 .. 217
Part no.:	B5105	B5147	B5168	B5189	B5210	B5231

Overview of cap screws / studs required

1 directional valve WEDA plus:	No. of modules with height H = 30 mm						
	0	1	2	3	4	5	6
	M5 x 40	M5 x 70	5105	5147	5168	5210	5231

MODEL CODE KEY

- 4 studs complete with nuts
- Recessed nut type B
- M5 threads
- Stud length L (mm)

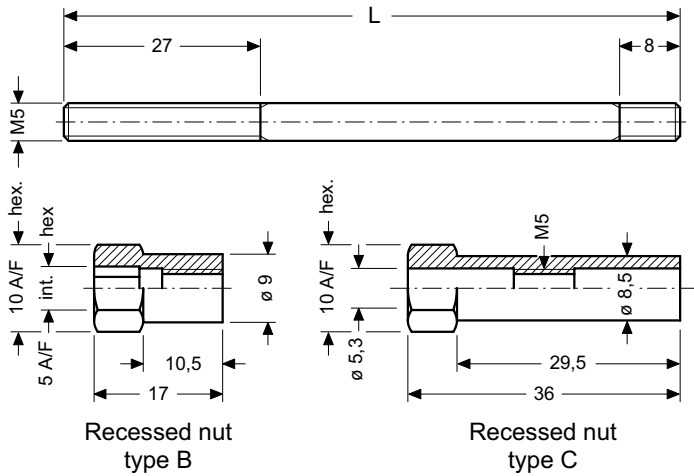
Ex.

1 Stud kit no.	B	5	147
----------------	---	---	-----

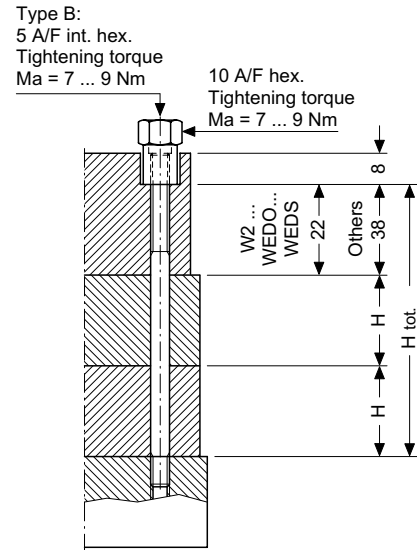
Fixing Kits for size 3 Modular Stacks with directional valves

- Steel stud, δb min. 1000 N/mm², phosphated
- Recessed nut, steel, phosphated

DIMENSIONS



Recessed nut type B
Recessed nut type C
for directional valves W2...-6 (sheet W-2.13)
and series WEDO.. (sheet W-16.10 / W-16.20)
and series WEDS.. (sheet W-17.10)



L	105	126	147	168	189	210	231	252
H tot.	71 .. 91	92 .. 112	113 .. 133	134 .. 154	155 .. 175	176 .. 196	197 .. 217	218 .. 238
Part no.:	B5105	B5126	B5147	B5168	B5189	B5210	B5231	B5252

with recessed nut type B

L	105	126	147	168	189	210	231	252
H tot.	57 .. 77	78 .. 98	99 .. 119	120 .. 140	141 .. 161	162 .. 182	183 .. 203	204 .. 224
Part no.:	C5105	C5126	C5147	C5168	C5189	C5210	C5231	C5252

with recessed nut type C

Overview of cap screws / studs required

1 directional valve plus:	No. of modules with height H = 30 mm ... 31,5 mm						
	0	1	2	3	4	5	
No. of modules with height H = 40 mm	0	M5 x 45 ¹⁾ M5 x 30 ²⁾	M5 x 75 ¹⁾ M5 x 60 ²⁾	5126	5147	5189	5210
	1	M5 x 85 ¹⁾ M5 x 70 ²⁾	5126	5168	5189	5231	
	2		5147	5168	5210	5231	
	3			5189	5210	5252	
	4				5231	5252	

1) = For use with all directional valves except:

2) = For use with directional valves
series W2...-6 (data sheet W-2.13)
series WEDO (data sheet W-16.10)
series WEDOU (data sheet W-16.20)
series WEDS (data sheet W-17.10)

Note: When using an 50 mm module choose a bolt / stud kit one size longer

MODEL CODE KEY

Ex. 1 Stud kit no. B 5 147

4 studs complete with nuts

Recessed nut type B (for all other W...-6 valves)

Recessed nut type C (for W2...-6, WEDO...-6 and for WEDS...-6)

M5 threads

Stud length L (mm)